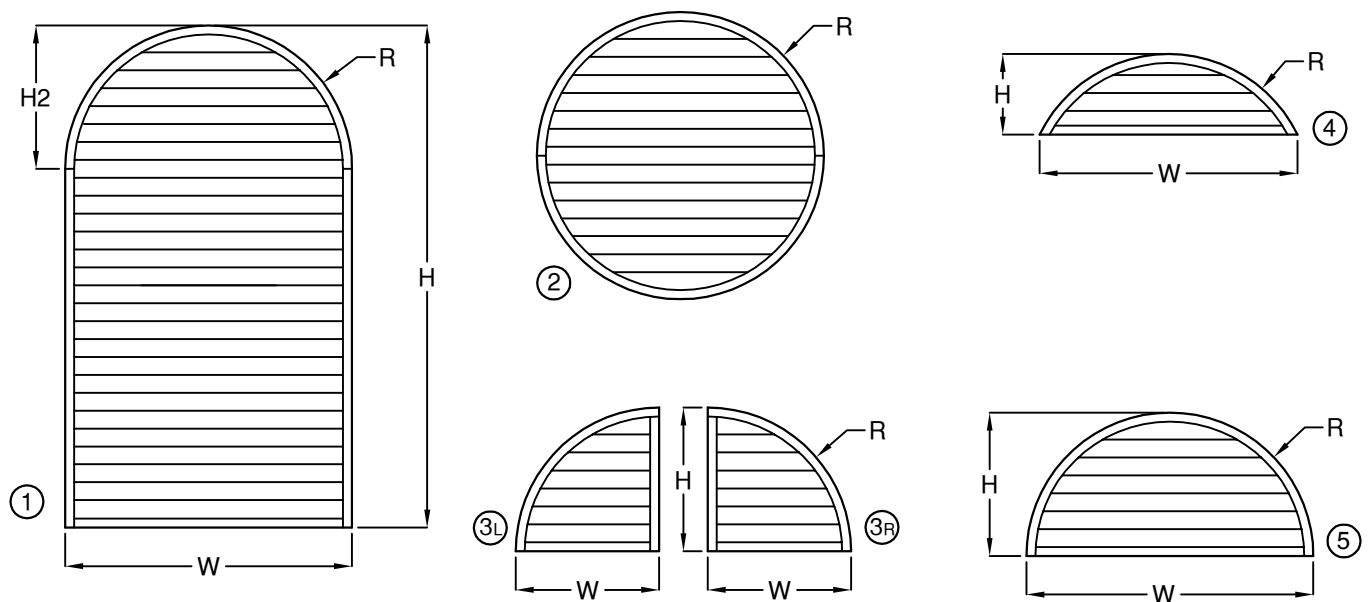


L&L LOUVERS INC.

12355 DOHERTY STREET
 RIVERSIDE, CA. 92503
 (951) 735-9300 FAX:(951)735-4628
 E-MAIL: info@louver1.com

CUSTOM SHAPES

Round Frame Fixed Louver Blades in
 Both Steel and Extruded Aluminum



*Other shapes are available upon special request.

| QTY. | TYPE | OPENING DIMENSIONS* | | | | MODEL # | ADDITIONAL COMMENTS |
|------|------|---------------------|---|----|-----|---------|---------------------|
| | | W | H | H2 | P** | | |
| | | | | | | | |
| | | | | | | | |
| | | | | | | | |
| | | | | | | | |
| | | | | | | | |
| | | | | | | | |
| | | | | | | | |
| | | | | | | | |
| | | | | | | | |

*Actual Louver Size Will Be 1/4" under Opening Dimensions

**Smallest radius available is 16"

This sheet is for choosing custom shapes and making dimension notations. Further information regarding blade shape, screen and finish are found in detail on the model sheets provided in our catalog.

| | |
|-----------------|-----------------|
| CUSTOMER NAME: | PHONE NUMBER: |
| ADDRESS: | FAX NUMBER: |
| CONTACT PERSON: | E-MAIL ADDRESS: |